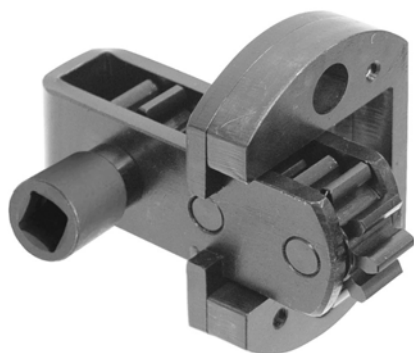




01/2020

## Flywheel-Rotating Tools



KL-0363-2 A  
KL-0363-3 A  
KL-0363-4  
KL-0363-5  
KL-0363-7  
KL-0363-8  
KL-0363-9 A

EN

[www.gedore-automotive.com](http://www.gedore-automotive.com)

### GEDORE Automotive GmbH

Breslauer Straße 41  
78166 Donaueschingen  
Postfach 1329  
DE-78166 Donaueschingen, Germany

T +49 (0) 771 / 8 32 23-0  
F +49 (0) 771 / 8 32 23-90  
info.gam@gedore.com  
www.gedore-automotive.com


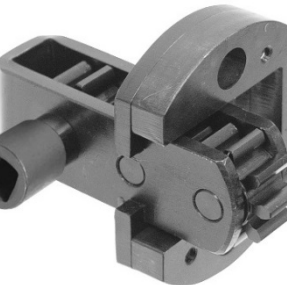





### GEDORE WELTWEIT / GEDORE WORLDWIDE

Weltweite GEDORE Servicestellen / Niederlassungen finden Sie im Internet unter: [www.gedore.com](http://www.gedore.com)  
Worldwide GEDORE service centers / offices are listed on the Internet at: [www.gedore.com](http://www.gedore.com)

### GEDORE TOOLS, INC.

Only for USA, Canada & Mexico  
Sólo para EE.UU., Canadá y México  
Seulement pour les USA, le Canada et le Mexique

7187 Bryhawke Circle, Suite 700  
North Charleston, SC 29418, USA  
Phone +1-843 / 225 50 15  
Fax +1-843 / 225 50 20  
info@gedoretools.com

KL-0363-2 A	Mercedes / MAN		1/2"
KL-0363-3 A	Mercedes / MAN		1/2"
KL-0363-4	MAN		1/2"
KL-0363-7	Scania		1/2"
KL-0363-5	Volvo / Renault		1/2"
KL-0363-8	Volvo / Renault		1/2"
KL-0363-9 A	DAF		1/2"

## Flywheel-Rotating Tools

### Field of Application

These tools allow the user to accurately rotate the engine for valve setting or other maintenance and service work.

### Technical Data

Drive ..... 1/2" □

### KL-0363-2 A Flywheel-Rotating Tool with 2 Gear Wheels

**Applicable to:**  
 Mercedes lorries equipped with either a 6-, 8- or 10-cylinder engine;  
 MAN lorries equipped with a 12-cylinder engine.  
 Engine codes: Mercedes OM401, OM402, OM403, OM409, OM421, OM422, OM423, OM429, OM441, OM442, OM444, OM446, OM447, OM457, OM489, OM541, OM542; MAN D2842

### KL-0363-3 A Flywheel-Rotating Tool with 3 Gear Wheels

**Applicable to:**  
 Mercedes lorries equipped with either a 4-, 6- or 8-cylinder engine;  
 MAN lorries equipped with either a 5-, 6- or 8-cylinder engine.  
 Engine codes: Mercedes OM457, OM541, OM542, OM902, OM904, OM906, OM924, OM926; MAN D25, D28

### KL-0363-4 Flywheel-Rotating Tool with 1 Gear Wheel

**Applicable to:**  
 MAN lorries equipped with either a 6- or 8-cylinder engine.  
 Engine codes: D20, D25, D26, D28

### KL-0363-7 Flywheel-Rotating Tool, Scania

**Applicable to:**  
 Scania lorries equipped with either a 5-, 6- or 8-cylinder engine.  
 Engine codes: DC 12, DC 13, DC 16

### KL-0363-5 Flywheel-Rotating Tool, Volvo

**Applicable to:**  
 Volvo and Renault lorries equipped with a 6-cylinder engine.  
 Engine codes: Volvo D9A, D11B, D12, D16C;  
 Renault DXi11, DXi12

### KL-0363-8 Flywheel-Rotating Tool, Volvo

**Applicable to:**  
 Volvo and Renault lorries equipped with a 6-cylinder engine.  
 Engine codes: Volvo D13; Renault DXi13

### KL-0363-9 A Flywheel-Rotating Tool, DAF

**Applicable to:**  
 DAF lorries equipped with a 6-cylinder (Euro 5 & 6) engine.  
 Engines fitted to DAF XF 105 (Euro 5) for example.  
 Engine codes: MX300, MX340, MX375

### ⚠ Warnings and Notes

- Any work on vehicles/engines should only be performed by qualified specialist personnel observing and complying with the directions, provisions, and safety regulations specified by the vehicle manufacturer!
- Always refer to the vehicle manufacturer's data and instructions as only these apply to all work that is carried out on the vehicle.