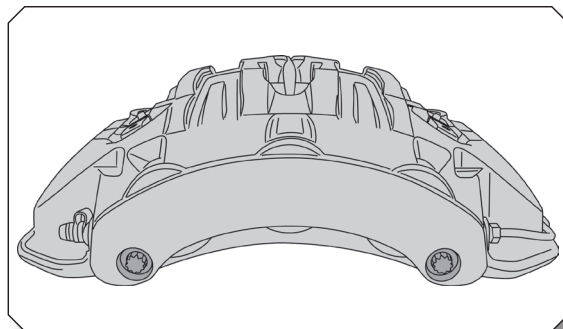




## KL-0112-9 / -90 / -91 Set of Sockets for Brakes

**Product information** EN  
⚠ Read and understand before use!



[www.gedore-automotive.com](http://www.gedore-automotive.com)

### GEDORE Automotive GmbH

Breslauer Straße 41  
78166 - Donaueschingen  
Postfach 1329  
78154 Donaueschingen - GERMANY

☎ +49 (0) 771 / 8 32 23-0  
☎ +49 (0) 771 / 8 32 23-90  
✉ info.gam@gedore.com  
🌐 gedore-automotive.com

### GEDORE TOOLS, INC.

Only for USA, Canada & Mexico / Sólo para EE.UU., Canadá y México  
Seulement pour les USA, le Canada et le Mexique  
7187 Bryhawke Circle, Suite 700  
North Charleston, SC 29418, USA

☎ +1-843 / 225 50 15  
☎ +1-843 / 225 50 20  
✉ info@gedoretools.com  
🌐 gedore.com

Version 10/2022

0112-9\_Serie\_EN221002.indd

## Product description

### KL-0112-9 - Set of sockets for brakes, 5 parts

Fits brake calliper retaining bolts on standard Audi, Porsche, and Mercedes models.

KL-0112-901 = Audi, Porsche, Mercedes

KL-0112-902 = Audi S5

KL-0112-911 = Audi Q7

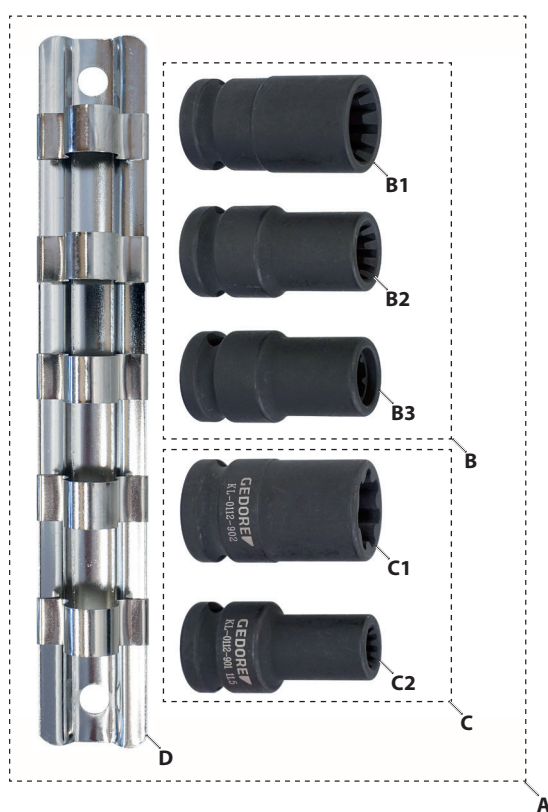
KL-0112-912 = Audi S8, Q7; Porsche Macan, Cayenne, Cayman

KL-0112-913 = Audi S6, A8; Porsche Cayenne

#### Recommended accessories:

1993 U-20 - Reversible ratchet, 1/2"

EN



### Scope of supply/Single parts overview

Item	Part no.	Description	Qty.
A	KL-0112-9	Set of sockets for brakes, 5 parts	1
B	KL-0112-91	Set of sockets, brakes	1
B1	KL-0112-913	Socket, 20mm (special profile)	1
B2	KL-0112-912	Socket, 15mm (special profile)	1
B3	KL-0112-911	Socket, 14mm (special profile)	1
C	KL-0112-90	Set of sockets for brakes	1
C1	KL-0112-902	Socket, 22mm (special profile)	1
C2	KL-0112-901	Socket, 11mm (special profile)	1
D	KL-0112-9/97	Spring steel socket rail	1

### Specifications

Height:	50mm
Drive:	1/2"
Width across flats (KL-0112-901):	11mm
Number of teeth / profile (KL-0112-901):	10
Width across flats (KL-0112-902):	22mm
Number of teeth / profile (KL-0112-902):	7
Width across flats (KL-0112-911):	14mm
Number of teeth / profile (KL-0112-911):	7
Width across flats (KL-0112-912):	15mm
Number of teeth / profile (KL-0112-912):	10
Width across flats (KL-0112-913):	20mm
Number of teeth / profile (KL-0112-913):	10

### ⚠ Safety instructions and regulations

- **Before using** the special tools, read and understand all safety instructions and **follow** them for **safe use**!
- Use the special tools **as intended**, and **always** perform maintenance tasks and repairs in compliance with the regulations on occupational safety and accident prevention and with the instructions by the vehicle manufacturer!
- **Prior to each use**, check the special tools **carefully** for damage, loose parts or unauthorised modifications. **Never** use it if you notice any such deficiencies!
- **Always** wear your personal protective equipment (for example safety goggles, protective gloves, safety shoes) when working!